



# Pushbuttons

## Product Selection Guide

<b>Pushbutton</b>									
<b>Series</b>	<b>ELUM</b>	<b>EP</b>	<b>TP</b>	<b>E020</b>	<b>8020</b>	<b>E010</b>	<b>8060</b>	<b>8500</b>	<b>KM</b>
<b>Switch Type</b>	Mom./Latching	Tiny	Tiny	Snap-acting Mom.	Snap-acting Mom.	Miniature	Alternate Action	Sub-miniature	Sub-miniature
<b>Poles/Throws</b>	SPDT	SPST, SPDT, DPST	SPST, SPDT, DPST	SPDT, DPDT	SPDT, DPDT, 3PDT, 4PDT	SPDT	SPDT, DPDT	SPST	SPST, SPDT
<b>Max. Current</b>	3.5 VA	1 Amp	1 Amp	1 Amp	1 Amp	4 Amps	6 Amps	3 Amps	1 Amp
<b>Process Sealed</b>		•		•		•			
<b>Illuminated</b>	•				•		•	•	
<b>PCB Mount Options</b>									
Thru-hole	•	•	•	•	•	•	•	•	•
Vertical		•	•	•	•	•	•	•	•
Right Angle	•	•	•	•	•	•	•	•	•
Surface Mount	•	•							
<b>Panel Mount</b>			•		•	•	•	•	•
<b>Page No.</b>	A-3	A-9	A-15	A-21	A-29	A-46	A-52	A-62	A-67

<b>Pushbutton</b>							
<b>Series</b>	<b>8600</b>	<b>8700</b>	<b>GP</b>	<b>PN</b>	<b>PHA</b>	<b>F</b>	<b>NE-18</b>
<b>Switch Type</b>	Micro-miniature	Over Travel	Ultra-miniature	Alternate & Mom. Action	Short Stroke	Alternate & Mom. Action	Mains / Power
<b>Poles/Throws</b>	SPST	SPST	SPST, SPDT	SPDT, DPDT, 4PDT	DPDT, 4PDT, 6PDT	DPDT, 4PDT, 6PDT, 8PDT, 10PDT	DPST, DPDT, Varied
<b>Max. Current</b>	500 mA	1 Amp	0A V	200 mA	100 mA	500 mA	6 A
<b>Process Sealed</b>			•				
<b>PCB Mount Options</b>							
Thru-hole	•	•	•	•	•	•	•
Vertical	•	•	•				
Right Angle			•	•	•	•	•
Surface Mount			•				
<b>Panel Mount</b>	•	•				•	•
<b>Page No.</b>	A-71	A-74	A-77	A-81	A-84	A-88	A-98

# 8020 Series Snap-acting Momentary Pushbutton Switches



## Features/Benefits

- **Positive tactile feel**
- **Multi-positions available**
- **Wide variety of termination options**
- **Epoxy terminal seal compatible with bottom wash cleaning**
- **RoHS compliant models available**

## Typical Applications

- **Instrumentation**
- **Computer peripherals**
- **Telecommunications equipment**



Models Available

## Specifications

**CONTACT RATING:** B contact material (8X25 Models): 0.4 VA max. @ 20 V AC or DC maximum. G contact material (8X21, U8X1 Models): 1 AMP @ 120 V AC or 28 V DC or 0.4 VA max. @ 20 V AC or DC max. Note: Break-before-make contacts. Multi-pole contacts do not make and break simultaneously. See page A-43 for additional ratings.

**ELECTRICAL LIFE:** 60,000 make-and-break cycles at full load.

**CONTACT RESISTANCE:** Below 50 mΩ typ. initial @ 2-4 V DC, 100 mA, for both silver and gold plated contacts.

**INSULATION RESISTANCE:** 10<sup>9</sup>Ω min.

**DIELECTRIC STRENGTH:** 1,000 Vrms min. @ sea level.

**OPERATING TEMPERATURE:** 8X2X MODELS: -30°C to 75°C. U8X1 MODELS: -30°C to 65°C.

**CAP INSTALLATION FORCE:** 10 lbs. max. permissible.

**SOLDERABILITY:** Per MIL-STD-202F method 208D, or EIA RS-186E method 9 (1 hour steam aging).

**NOTE:** Any models supplied with B, P, R, or G contact material are RoHS compliant.

**NOTE:** Specifications and materials listed above are for switches with standard options. For information on specific and custom switches, consult Customer Service Center.

## Materials

**CASE:** Glass filled nylon 6/6 or diallyl phthalate (DAP), flame retardant (UL 94V-0).

**PLUNGER:** Glass filled nylon or glass filled polyester (PBT) (UL 94V-0).

**CAP & FRAME:** Nylon, black, standard.

**BUSHING:** Brass or zinc, nickel plated.

**HOUSING:** Stainless steel.

**SWITCH SUPPORT:** Brass or steel, matte-tin plated.

**N.O. & N.C. CONTACTS:** 8X21, U8X1 MODELS: G contact material: Coin silver, with gold plate over nickel plate. See page A-43 for additional contact materials.

8X25 MODELS: B contact material: Copper alloy, with gold plate over nickel plate. See page A-43 for additional contact materials.

**COMMON CONTACT & ALL TERMINALS:** Copper alloy, with gold plate over nickel plate.

**TERMINAL SEAL:** Epoxy. Refer to soldering and cleaning Technical Data Chapter.

**HARDWARE:** Nut & Locking Ring: Brass, nickel plated; Lockwasher: Steel, nickel plated.

## Build-A-Switch

To order, simply select desired option from each category and place in the appropriate box. Available options are shown and described on pages A-30 thru A-45. For additional options not shown in catalog, consult Customer Service Center. All models have epoxy terminal seal and are compatible with all "bottom-wash" PCB cleaning methods.

**Switch Function**

**8121** SPDT On-Mom. 1 Amp  
**8125** SPDT On-Mom. 0.4VA  
**8221** DPDT On-Mom. 1 Amp  
**8225** DPDT On-Mom. 0.4VA  
**8321** 3PDT On-Mom. 1 Amp  
**8325** 3PDT On-Mom. 0.4VA  
**8421** 4PDT On-Mom. 1 Amp  
**8425** 4PDT On-Mom. 0.4VA

**Note:** UL/CSA models available, see page A-30 and A-31.

**Actuator or Plunger**

**S** Plunger  
**NONE** Snap-in  
**J80** Snap-in  
**J81** Snap-in w/frame  
**J82** Snap-in w/frame for LED  
**J83** Snap-in w/frame & flush cap  
**J84** Snap-in w/frame for LED, flush cap  
**J85** Snap-in w/frame & LED  
**J95** PC w/V-bracket & LED  
**L** Plunger  
**M** Snap-fitting plunger

**Bushing**

**D9** .280" high, keyway  
**H** .250" high, flat  
**NONE** No bushing choice required  
**D** .280" high, keyway  
**D2** .288" high, flat  
**D3** .180" high  
**D8** .288" high, flat  
**H9** .250" high, flat, hi torque  
**Y** .350" high, keyway  
**Y3** 6.35mm high, keyway, hi torque  
**Y4** .378" high, flat, hi torque  
**Y9** .350" high, keyway

**Contact Material**

**B** Gold  
**P** Gold, matte-tin  
**G** Gold over silver  
**R** Gold over silver, matte-tin

**Seal**

**E** Epoxy  
**I** Epoxy potted base

**Cap Color**

**2** Black  
**NONE** Models without caps  
**1** White  
**3** Red

**4** Orange  
**5** Yellow  
**6** Green  
**7** Blue  
**9** Gray

**Frame Color**

**2** Black  
**NONE** Models without frame  
**1** White  
**3** Red  
**5** Yellow  
**6** Green  
**9** Gray

**LED Color**

**3** Red  
**NONE** Models without LED  
**5** Yellow  
**6** Green

---

<b>Terminations</b>	<p><b>A</b> Right angle, PC thru-hole <b>AV2</b> Vertical right angle, PC thru-hole <b>C</b> PC Thru-hole <b>Z</b> Solder lug <b>A2</b> Right angle, PC thru-hole <b>A3</b> Right angle, snap-in, PC thru-hole</p>	<p><b>A4</b> Right angle, PC thru-hole, reversed terminals <b>A6</b> Right angle, PC thru-hole <b>AV</b> Vertical right angle, PC thru-hole <b>AV1</b> Vertical right angle, PC thru-hole <b>AV3</b> Vertical right angle, snap-in, PC thru-hole <b>R</b> Right angle with PCB <b>R2</b> Right angle with PCB, reversed terminals</p>	<p><b>V2</b> .555" high, V-bracket <b>V3</b> .460" high, V-bracket <b>V4</b> .630" high, V-bracket <b>V6</b> .460" high, V-bracket <b>V7</b> .630" high, V-bracket <b>V8</b> .953" high, V-bracket <b>V9</b> 1.150" high, V-bracket</p>	<p><b>V31</b> .460" high, snap-in V-bracket <b>V61</b> .460" high, snap-in V-bracket <b>W</b> .750" long, wire wrap <b>W1</b> .964" long, wire wrap <b>W3</b> .425" long, wire wrap <b>W4</b> 1.062" long, wire wrap <b>W3</b> Quick connect</p>
---------------------	--	---	---	--

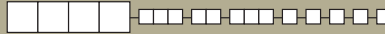


Dimensions are shown: Inches (mm)  
Specifications and dimensions subject to change



# 8020 Series Snap-acting Momentary Pushbutton Switches

## SWITCH FUNCTION



Pushbutton

A

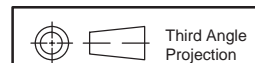
NO. POLES	MODEL NO.	UL/CSA* MODEL NO.	SWITCH FUNCTION		CONNECTED TERMINALS		SCHEMATIC
			POS. 1	POS. 2	POS. 1	POS. 2	
SP	<b>8121</b>	<b>U811</b>	ON	MOM.	1-3	1-2	
	<b>8125</b>		ON	MOM.			
<p><b>SPDT</b></p> <p>Part number shown: 8121SHZGE</p>							
DP	<b>8221</b>	<b>U821</b>	ON	MOM.	1-3,4-6	1-2,4-5	
	<b>8225</b>		ON	MOM.			
<p><b>DPDT</b></p> <p>Part number shown: 8221SHZGE</p>							
3P	<b>8321</b>	<b>U831</b>	ON	MOM.	1-3,4-6,7-9	1-2,4-5,7-8	
	<b>8325</b>		ON	MOM.			
<p><b>3PDT</b></p> <p>Part number shown: 8321SHZGE</p>							

MOM. = Momentary

\*U811 thru U841 model numbers with all options (except R, R2 terminations) when ordered with G, L or R contact material.

8X25 models must be ordered with B or P contact material.

8X21 and U8X1 models must be ordered with G or R contact material.



Dimensions are shown: Inches (mm)  
Specifications and dimensions subject to change

# 8020 Series Snap-acting Momentary Pushbutton Switches



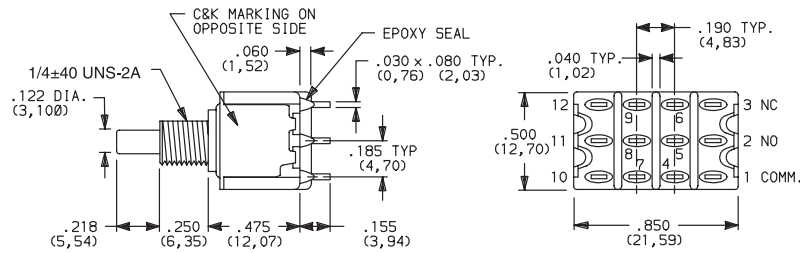
A

Pushbutton

## SWITCH FUNCTION

NO. POLES	MODEL NO.	UL/CSA* MODEL NO.	SWITCH FUNCTION		CONNECTED TERMINALS		SCHEMATIC
			POS. 1	POS. 2	POS. 1	POS. 2	
4P	8421	U841	ON	MOM.	1-3,4-6,7-9,10-12	1-2,4-5,7-8,10-11	
	8425		ON	MOM.			

### 4PDT



Part number shown: 8421SHZGE

Terminal Nos.  
For Reference Only

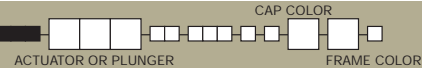
MOM. = Momentary

\* U811 thru U841 model numbers with all options (except R, R2 terminations) when ordered with G, L or R contact material.

8X25 models must be ordered with B or P contact material.

8X21 and U8X1 models must be ordered with G or R contact material.

## ACTUATOR—SNAP-IN FRONT MOUNT

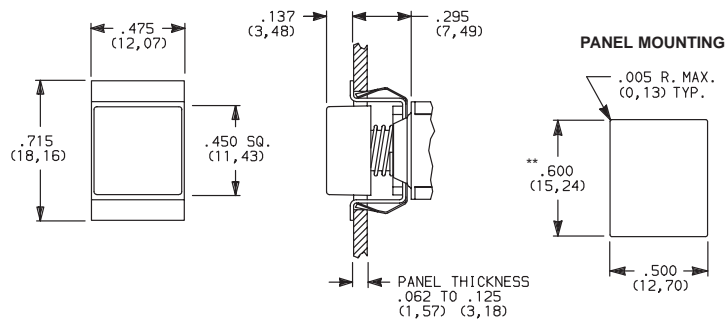


OPTION CODE	CAP AND FRAME COLOR
2	BLACK
NONE	No Frame Color (J80 option)
1	WHITE
3	RED
4	ORANGE
5	YELLOW
6	GREEN
7	BLUE
9	GRAY

Other colors available, consult Customer Service Center. Cap and Frame Finish: matte.

**NOTE:** Caps and frames available separately, see pages A-44 and A-45.

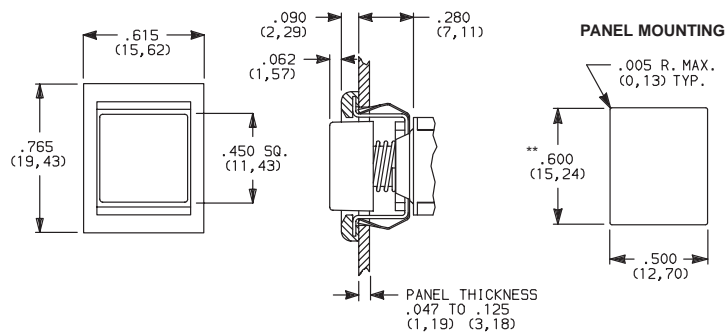
### J80 SNAP-IN



**NOTE:** No frame color choice required.

\*\* Increase this dim. to .620/.625 (15,75/15,88) for .091/.125 (2,31/3,18) thk. panels.

### J81 SNAP-IN WITH FRAME



**NOTE:** Available with C, W-W4, Z or Z3 terminations and SPDT and DPDT models only.

\*\* Increase this dim. to .620/.625 (15,75/15,88) for .091/.125 (2,31/3,18) thk. panels.



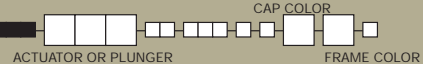
Dimensions are shown: Inches (mm)  
Specifications and dimensions subject to change





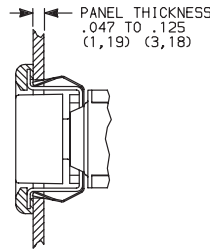
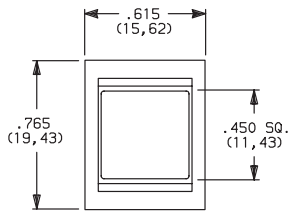
# 8020 Series Snap-acting Momentary Pushbutton Switches

## ACTUATOR—SNAP-IN FRONT MOUNT

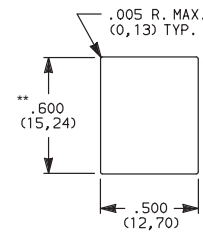


Pushbutton  
A

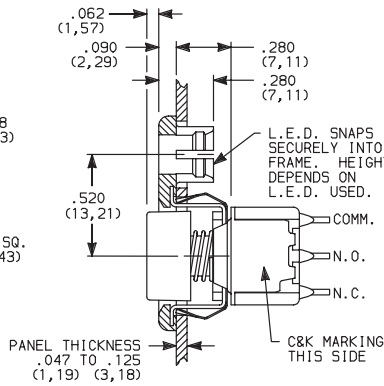
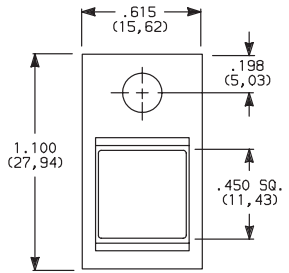
### J83 SNAP-IN WITH FRAME AND FLUSH CAP



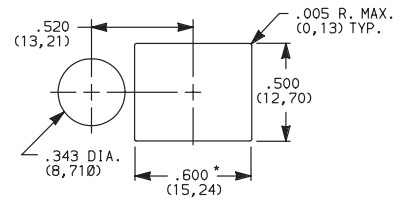
#### PANEL MOUNTING



### J82 SNAP-IN WITH FRAME FOR LED



#### PANEL MOUNTING

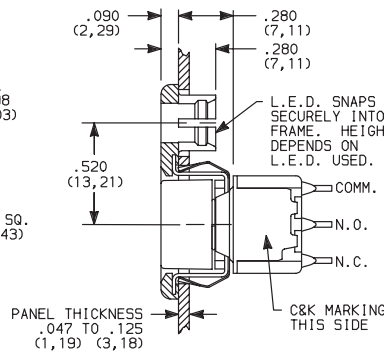
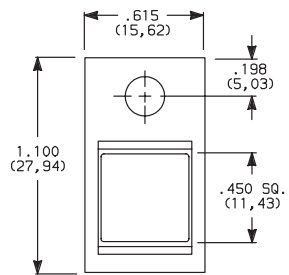


\* Increase this dim. to .620/.625 (15,75/15,88) for .091/.125 (2,31/3,18) thk. panels.

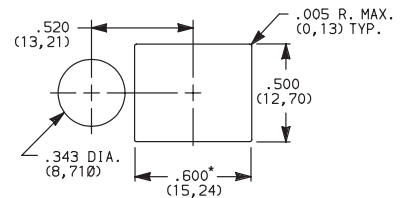
LED not included.

For LED information, see page A-45.

### J84 SNAP-IN WITH FRAME FOR LED, FLUSH CAP



#### PANEL MOUNTING



\* Increase this dim. to .620/.625 (15,75/15,88) for .091/.125 (2,31/3,18) thk. panels.

LED not included.

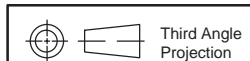
For LED information, see page A-45.

OPTION CODE	CAP AND FRAME COLOR
2	BLACK
1	WHITE
3	RED
4	ORANGE
5	YELLOW
6	GREEN
7	BLUE
9	GRAY

Other colors available, consult Customer Service Center.  
Cap and Frame Finish: matte.

Available with C, W-W4, Z or Z3 terminations and SPDT and DPDT models only.

**NOTE:** Caps and frames available separately, see pages A-44 and A-45.



Dimensions are shown: Inches (mm)  
Specifications and dimensions subject to change



# 8020 Series Snap-acting Momentary Pushbutton Switches

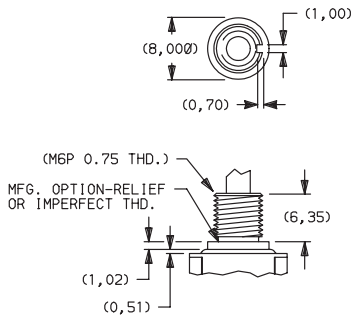


A

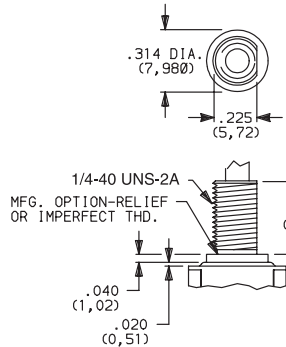
Pushbutton

## BUSHING

**Y3** 6.35mm THREADED, KEYWAY

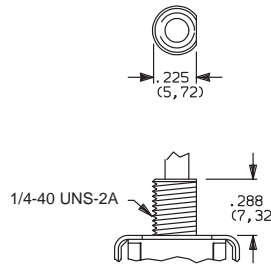


**Y4** .378" HIGH THREADED, FLAT

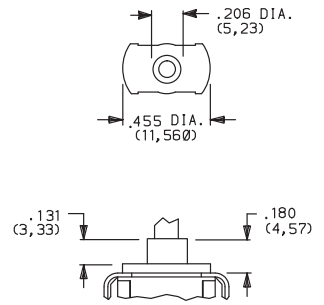


**D2** .288" HIGH THREADED, FLAT

**D8** .288" HIGH UNTHREADED, FLAT



**D3** .180" HIGH UNTHREADED



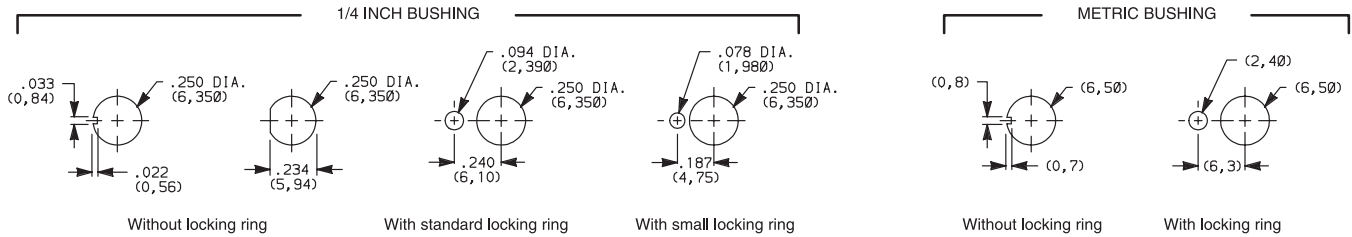
Y3 & Y4 bushings not available on single pole models with A3-A6, R, R2 terminations. Will withstand 12 in./lbs. of torque with no distortion.

D2, D8 bushings not available with C, W-W4, Z, Z3 terminations.

D3 bushing available with A, A2, A3, AV, AV2, AV3 and V2-V61 terminations only.

**NOTE:** No bushing option choice required when JXX actuator option is selected. When selecting bushing option, plunger selection must also be made, see previous page. Plunger lengths vary with bushing and termination options selected.

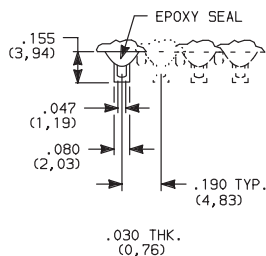
## PANEL MOUNTING



**NOTE:** Two mounting nuts, locking ring and lockwasher supplied standard with threaded bushings. Optional mounting nut and locking ring styles available, see section "Technical Data and Additional Hardware".

## TERMINATIONS

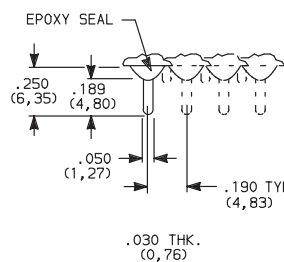
**Z** SOLDER LUG



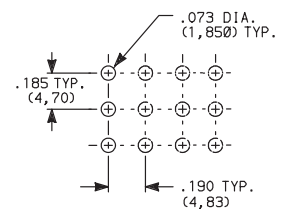
Not available with J95 actuator, P or R contact material.

SPDT thru 4PDT

**C** PC THRU-HOLE



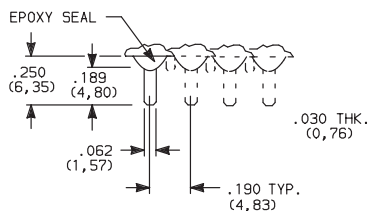
PC MOUNTING



Not available with J95 actuator option.

SPDT thru 4PDT

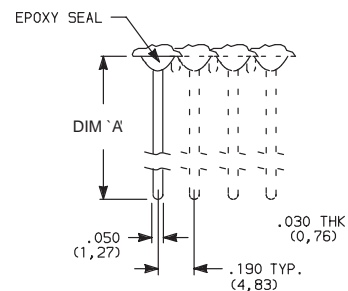
**Z3** QUICK CONNECT



Not available with J95 actuator, P or R contact material. Mating quick connector available, order part number 530100000, page A-44.

SPDT thru 4PDT

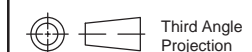
**W W1, W3, W4** WIRE WRAP



OPTION CODE	DIM 'A'
<b>W</b>	.750 (19,05)
<b>W1</b>	.964 (24,49)
<b>W3</b>	.425 (10,80)
<b>W4</b>	1.062 (26,97)

Not available with J95 actuator option.

SPDT thru 4PDT



Dimensions are shown: Inches (mm)  
Specifications and dimensions subject to change



# 8020 Series Snap-acting Momentary Pushbutton Switches



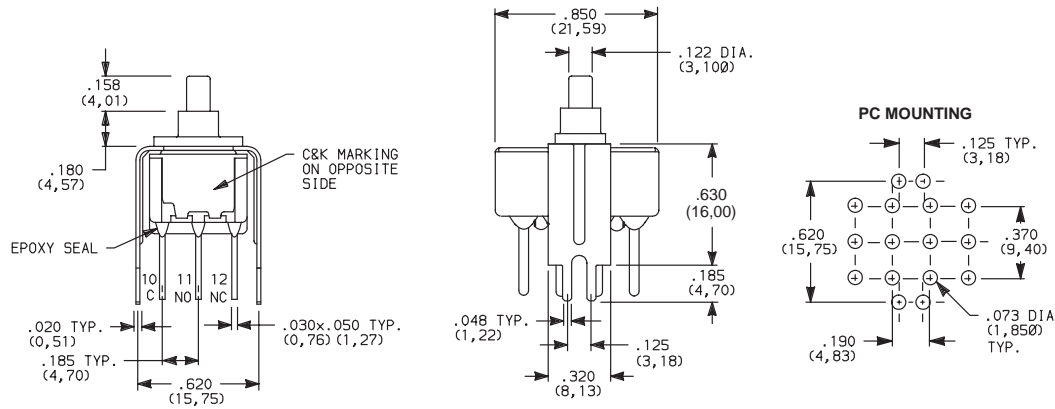
A

Pushbutton

## TERMINATIONS



**V4, V9** VERTICAL MOUNT, V-BRACKET



8421SD3V4GE  
4PDT

OPTION CODE	DIM 'A'
V4	.630 (16,00)
V9	1.150 (29,21)

Not available with JXX actuators and I seal.

## CONTACT MATERIAL



OPTION CODE	CONTACT MATERIAL	TERMINAL PLATING	RATINGS	
B	GOLD <sup>1</sup>	GOLD <sup>1</sup>	LOW LEVEL/DRY CIRCUIT	8x25 MODELS ONLY: 0.4 MAX. @ 20 V AC OR DC MAX.
P		MATTE-TIN <sup>4</sup>		
G	GOLD OVER SILVER <sup>2,3</sup>	GOLD <sup>3</sup>	LOW LEVEL/DRY CIRCUIT OR POWER	8X21, U8X1 MODELS ONLY: 0.4 VA MAX @ 20 V AC OR DC MAX. OR 1 AMP @ 120 V AC OR 28 V DC.
R		MATTE-TIN <sup>4</sup>		

\* Note: See Technical Data section of this catalog for RoHS compliant and compatible definitions and specifications.

- ALL CONTACTS & TERMINALS: Copper alloy, with gold plate over nickel plate.
- N.O. AND N.C. CONTACTS: Coin silver, with gold plate over nickel plate.
- COMMON CONTACTS & ALL TERMINALS: Copper alloy, with gold plate over nickel plate.
- TERMINALS: Copper alloy, with matte-tin over nickel plate.

**NOTE:** Any models supplied with B, P, R or G contact material are RoHS compliant.

U811-U841 models with all options (except R, R2 terminations) when ordered with mandatory G, R or L contact material.

B or P contact material must be ordered with 8X25 models.

G or R contact material must be ordered with 8X21, U8X1 models.

P or R contact material not available with Z, Z3 terminations.

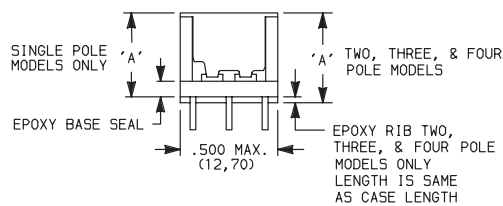
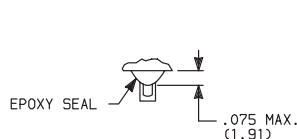
K, L and M options represent Non RoHS tin lead product and are not recommended for new designs. For additional information please contact Customer Service.

## SEAL



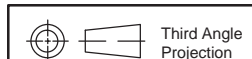
**E** EPOXY SEAL

**I** EPOXY POTTED BASE



NO. POLES	DIM 'A'
SP	.410 (10,41)
DP	.440 (11,18)
3P	.505 (12,83)
4P	.505 (12,83)

**NOTE:** Available with C, W-W4, Z, Z3 terminations only.



Third Angle Projection  
Dimensions are shown: Inches (mm)  
Specifications and dimensions subject to change

